

Towing Power

 Tow capacity (kg): 4000 - 5000 - 6000 - from 7000 to 20000 (HL versions)

TPT AC-evo

The safest and easiest way to tow rolling or trailed loads up to 6000 kg! Extra stability is gained from dual sets of heavy-duty front wheels. A powerful electro-hydraulic lift operates the tow hook or hitch ball.



AC technology

- + Performance
- + Driving control
- Service Costs

TPT UB AC-evo

Version with operator on board to tow four-wheel trailers; the drive with steering arm combined with the consent foot-key assure maximum safety during the handling operations.



CAPACITY UP TO 20 TONS

POWER ASSISTED STEERING
* only for capacity higher than 8 ton

AC technology

- + Performance
- + Driving control
- Service Costs



TPT HL AC-evo

With an extra heavy-duty structure, 24V or 48V AC traction drive motor technology and a powerful hydraulic lift, the TPT HL makes towing extreme loads up to 20 tons safe and easy.

TOW TRACTORS

Features in detail: _____



TOW HOOK:

Tow hooks or hitch couplings are designed specifically for the trailer or the equipment to be towed.



LIFTING POWER:

The lift height of the tow hook or hitch coupling is adjusted by a powerful hydraulic system designed for extremely heavy loads.



TOWING OF GOODS WITH WALKING OPERATOR:

Maximum versatility and manoeuvrability to tow trailed loads in tight work spaces.



TOWING OF GOODS WITH OPERATOR ON BOARD:

A ergonomic platform and cushioned back rest offer maximum comfort and safety for the operator while towing over long distances.

Customised Trucks:

HL towing trucks are manufactured to the customer's specific requirements. The tow hook or hitch coupling is designed according to the mass and loads to be handled.

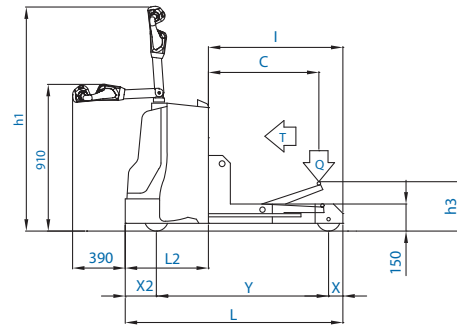
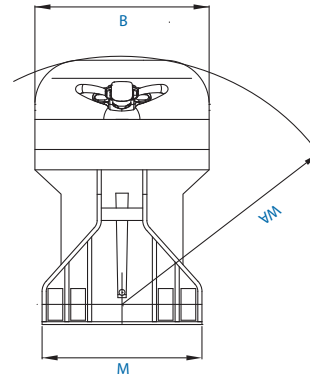


TPT AC-evo

model		TPT 40	TPT 50	TPT 60
T	Kg	4000	5000	6000
Q	Kg	2000	2500	3000
C	mm	700	700	700
I	mm	875	875	875
L	mm	1445	1520	1520
X	mm	130	130	130
X2	mm	210	230	230
Y	mm	1105	1160	1160
L2	mm	570	645	645
M	mm	580	580	580
h1	mm	1440	1440	1440
h3	mm	355	355	355
B	mm	750	750	750
WA	mm	1350	1420	1420

§ STANDARD EQUIPMENT

- AC three-phase technology traction motors • Electronic plant 24V with controller with mosfet technology complete with inverter and microprocessor fault research • Regenerative braking with consumption reduction and temperature control of the traction motor • Electronic battery charger 24V 20A with microprocessor (for TPT 40) • High frequency electronic battery charger 24V 40A (for TPT 50 and TPT 60) • Hook control by push-button • Electric end stroke
- Electromagnetic parking brake • Exhausted battery warning-indicator • DR-EVO Steering • Safety components • Traction Battery 24V from 160 Ah to 270 Ah (for TPT 40) • Traction Battery 24V 240 / 270 Ah (for TPT 50 and TPT 60)



TPT UB AC-evo

model		TPT UB
T	Kg	4000
L	mm	1095
X	mm	112
X2	mm	196
Y	mm	717
L2	mm	570
M	mm	540
h1	mm	1155
B	mm	750
WA	mm	950

§ STANDARD EQUIPMENT

- AC three-phase technology traction motors • Electronic plant 24V with controller with mosfet technology complete with inverter and microprocessor fault research • Regenerative braking with consumption reduction and temperature control of the traction motor • Electronic battery charger 24V 20A with microprocessor • Electric end stroke
- Electromagnetic parking brake • Exhausted battery warning-indicator • Footboard for operator • DR-EVO Steering • Safety components • Traction Battery 24V from 160 Ah to 270 Ah

