

## Towing Power

 Tow capacity (kg): 4000 - 5000 - 6000 - from 7000 to 20000 (HL versions)

### TPT AC-evo

The safest and easiest way to tow rolling or trailed loads up to 6000 kg! Extra stability is gained from dual sets of heavy-duty front wheels. A powerful electro-hydraulic lift operates the tow hook or hitch ball.



#### AC technology

- + Performance
- + Driving control
- Service Costs

### TPT UB AC-evo

Version with operator on board to tow four-wheel trailers; the drive with steering arm combined with the consent foot-key assure maximum safety during the handling operations.



#### AC technology

- + Performance
- + Driving control
- Service Costs



**CAPACITY  
UP TO  
20 TONS**

**POWER  
ASSISTED  
STEERING**  
\* only for capacity higher than 8 ton

### TPT HL AC-evo

With an extra heavy-duty structure, 24V or 48V AC traction drive motor technology and a powerful hydraulic lift, the TPT HL makes towing extreme loads up to 20 tons safe and easy.

## TOW TRACTORS

Features in detail: \_\_\_\_\_



#### TOW HOOK:

Tow hooks or hitch couplings are designed specifically for the trailer or the equipment to be towed.



#### LIFTING POWER:

The lift height of the tow hook or hitch coupling is adjusted by a powerful hydraulic system designed for extremely heavy loads.



#### TOWING OF GOODS WITH WALKING OPERATOR:

Maximum versatility and manoeuvrability to tow trailered loads in tight work spaces.



#### TOWING OF GOODS WITH OPERATOR ON BOARD:

A ergonomic platform and cushioned back rest offer maximum comfort and safety for the operator while towing over long distances.

#### Customised Trucks:

HL towing trucks are manufactured to the customer's specific requirements. The tow hook or hitch coupling is designed according to the mass and loads to be handled.

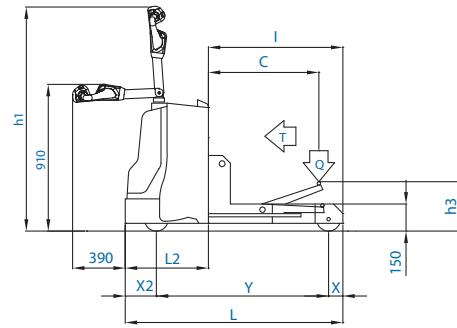
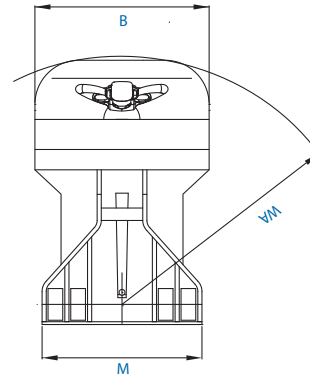


## TPT AC-evo

| model |    | TPT 40 | TPT 50 | TPT 60 |
|-------|----|--------|--------|--------|
| T     | Kg | 4000   | 5000   | 6000   |
| Q     | Kg | 2000   | 2500   | 3000   |
| C     | mm | 700    | 700    | 700    |
| I     | mm | 875    | 875    | 875    |
| L     | mm | 1445   | 1520   | 1520   |
| X     | mm | 130    | 130    | 130    |
| X2    | mm | 210    | 230    | 230    |
| Y     | mm | 1105   | 1160   | 1160   |
| L2    | mm | 570    | 645    | 645    |
| M     | mm | 580    | 580    | 580    |
| h1    | mm | 1440   | 1440   | 1440   |
| h3    | mm | 355    | 355    | 355    |
| B     | mm | 750    | 750    | 750    |
| WA    | mm | 1350   | 1420   | 1420   |

### § STANDARD EQUIPMENT

- AC three-phase technology traction motors • Electronic plant 24V with controller with mosfet technology complete with inverter and microprocessor fault research • Regenerative braking with consumption reduction and temperature control of the traction motor • Electronic battery charger 24V 20A with microprocessor (for TPT 40) • High frequency electronic battery charger 24V 40A (for TPT 50 and TPT 60) • Hook control by push-button • Electric end stroke
- Electromagnetic parking brake • Exhausted battery warning-indicator • DR-EVO Steering • Safety components • Traction Battery 24V from 160 Ah to 270 Ah (for TPT 40) • Traction Battery 24V 240 / 270 Ah (for TPT 50 and TPT 60)



## TPT UB AC-evo

| model |    | TPT UB |
|-------|----|--------|
| T     | Kg | 4000   |
| L     | mm | 1095   |
| X     | mm | 112    |
| X2    | mm | 196    |
| Y     | mm | 717    |
| L2    | mm | 570    |
| M     | mm | 540    |
| h1    | mm | 1155   |
| B     | mm | 750    |
| WA    | mm | 950    |

### § STANDARD EQUIPMENT

- AC three-phase technology traction motors • Electronic plant 24V with controller with mosfet technology complete with inverter and microprocessor fault research • Regenerative braking with consumption reduction and temperature control of the traction motor • Electronic battery charger 24V 20A with microprocessor • Electric end stroke
- Electromagnetic parking brake • Exhausted battery warning-indicator • Footboard for operator • DR-EVO Steering • Safety components • Traction Battery 24V from 160 Ah to 270 Ah

